



TM12864A-2

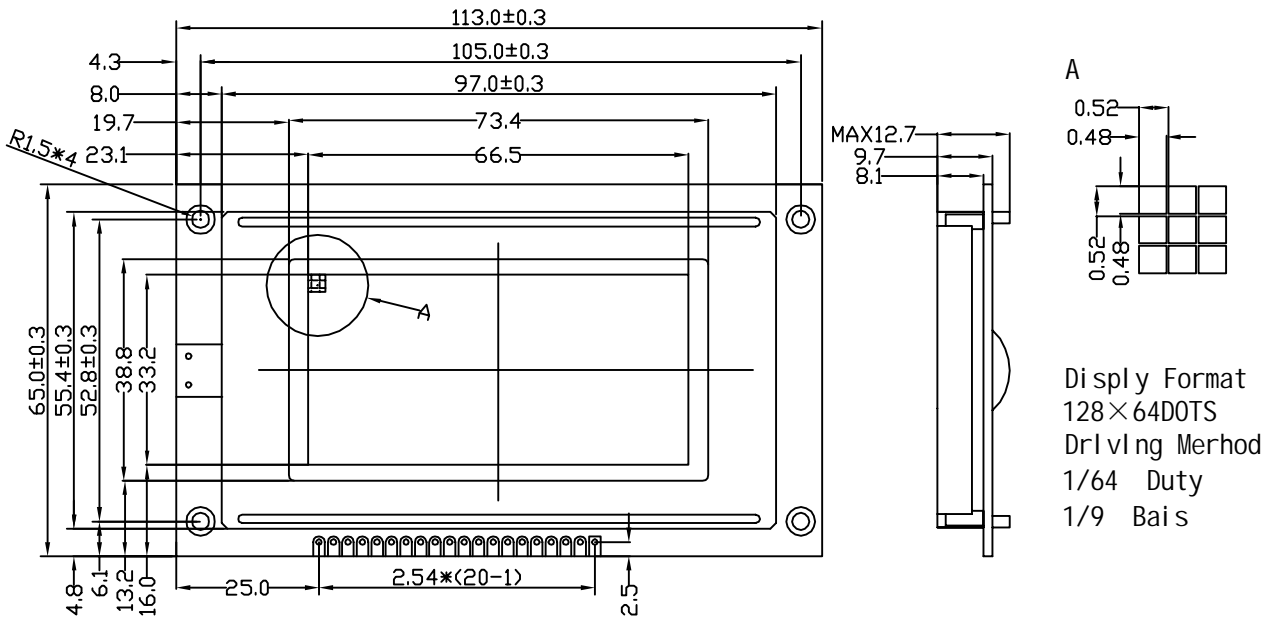
深圳市天广宽科技有限公司

Tel: 0755-83685744 23007596 Fax: 0755-23007597

<http://www.tgklcd.com> E-mail: sg2966@163.com

销售公司地址: 深圳市福田区华强北路赛格广场二楼2834号

① PHYSICAL DIMENSION/外型尺寸

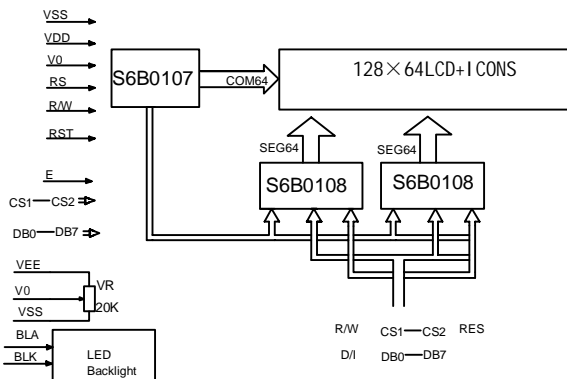


② FEATURES/特征

| Feature(特征) | UNIT(单位) |
|-------------------------------|-----------------------------|
| LCD type & Colour(类型及颜色) | STN Yellow-green ; STN Blue |
| View Angle(视角) | 6 O'clock |
| Operating temperature(工作温度) | -20°C ---- +70°C |
| Storage Temperature(贮存温度) | -30°C ---- +80°C |
| Control IC & Package(控制芯片及封装) | S6B0107 , COB |
| Weight(重量) | 98 (With B/L) |
| Backlight(背光类型) | LED |

| | Ta=25°C | MIN(最小) | TYP(典型) | MAX(最大) | UNIT(单位) | |
|--|---------|---------|---------|---------|----------|----|
| Supply current don't contain backlight(无背光时电流) | 0 | | 9.2 | | mA | |
| VDD(电源) | -0.3 | 3.3 | 5.0 | 5.5 | V | |
| VLCD-V0(LCD驱动电压) | 0 | | -4.7 | | V | |
| Backlight LED (背光电压, 电流) | 侧背光 | 0 | 3.3 | 5.0 | 5.0 | V |
| | | 0 | 60 | 60 | | mA |
| | 底背光 | 0 | | 5.0 | 5.5 | V |
| | | 0 | | 120 | | mA |

④ BLOCK DIAGRAM/原理电路



③ PIN CONFIGURATION/管脚说明

| PIN | SYMBOL | DESCRIPTION(定义描述) | |
|-----|--------|---|-------------------------------------|
| 1 | VSS | Power ground (地) | |
| 2 | VDD | Power positive(逻辑电压) | |
| 3 | V0 | Operating voltage for LCD Driver(对比度调节) | |
| 4 | RS | H:Data L:Instruction Code(指令 数据信号) | |
| 5 | R/W | Read or Write.(写数据) | |
| 6 | E | Enable trigger.(使能信号) | |
| 7 | DB0 | Data bus [0-7]. There state I/O common terminal.(数据线0-7) | |
| 14 | DB7 | | |
| 15 | CS1 | | Chip select signal(片选1) |
| 16 | CS2 | | Chip select signal(片选2) |
| 17 | RST | | Reset Signal(复位) |
| 18 | VEE | | Negative voltage output(负压输出) |
| 19 | BLA | | Power supply for backlight(+)(背光正极) |
| 20 | BLK | | Power supply for backlight(-)(背光负极) |

⑤ ELUCIDATION/补充备注