



TM12864L-4

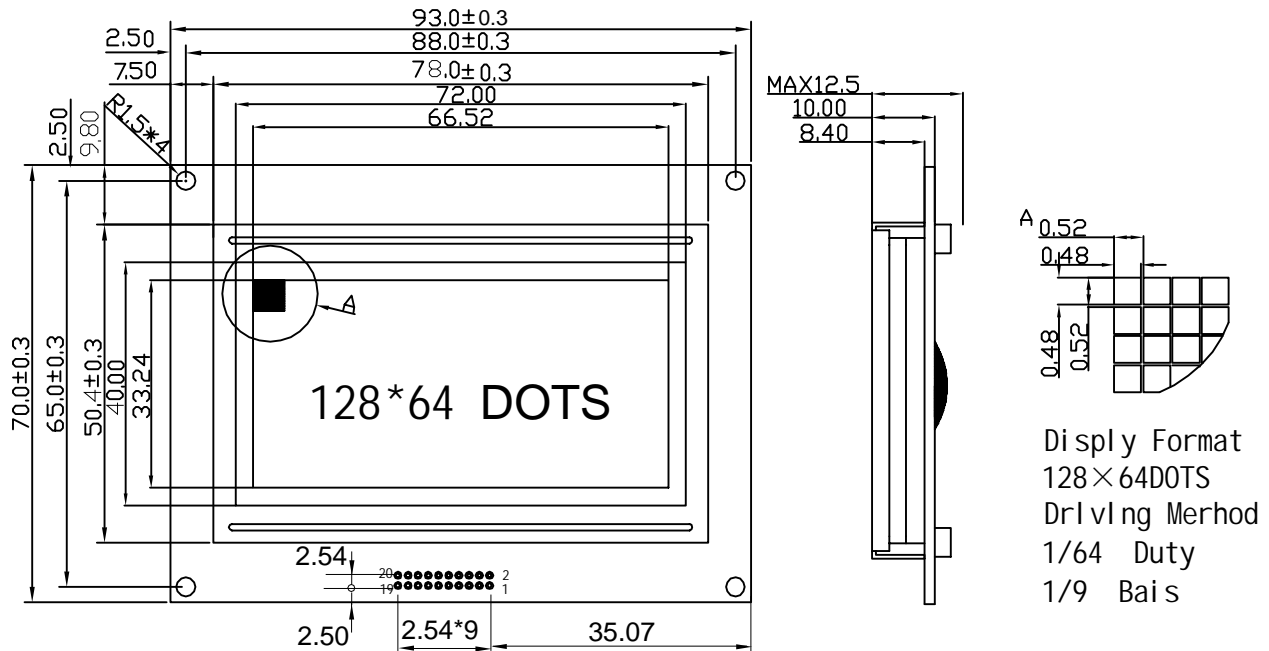
深圳市天广宽科技有限公司

Tel: 0755-83685744 23007596 Fax: 0755-23007597

<http://www.tgklcd.com> E-mail: sg2966@163.com

销售公司地址: 深圳市福田区华强北路赛格广场二楼2834号

① PHYSICAL DIMENSION/外型尺寸

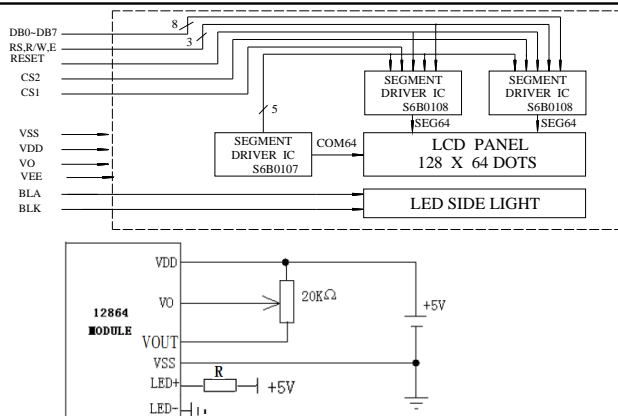


② FEATURES/特征

Feature(特征)	UNIT(单位)
LCD type & Colour(类型及颜色)	STN Yellow-green, STN Blue, FSTN
View Angle(视角)	6° clock
Operating temperature(工作温度)	-20°C ---- +70°C
Storage Temperature(贮存温度)	-30°C ---- +80°C
Control IC & Package(控制芯片及封装)	AIP31107, COB
Weight(重量)	83 (With B/L) g
Backlight(背光类型)	LED

Ta=25°C	MIN(最小)	TYP(典型)	MAX(最大)	UNIT(单位)	
Supply current don't contain backlight(无背光时电流)	0	9.2		mA	
VDD(电源)	3.0	3.3	5.0	5.5 V	
VLCD-V0(LCD驱动电压)	0	-4.7		V	
Backlight LED (背光电压, 电流)	侧背光	0	3.3	5.0	5.0 V
	底背光	0	75	75	mA
		0	3.3	5.0	5.5 V
		0	120	120	mA

④ BLOCK DIAGRAM/原理电路



③ PIN CONFIGURATION/管脚说明

PIN	SYMBOL	DESCRIPTION(定义描述)	
1	VSS	Power ground (地)	
2	VDD	Power positive(逻辑电压)(+5.0V)	
3	V0	Operating voltage for LCD Driver(对比度调节)	
4	D/I	H:Data L:Instruction Code(指令 数据信号)	
5	R/W	Read or Write.(写数据)	
6	E	Enable trigger.(使能信号)	
7	DB0	Data bus [0-7]. There state I/O common terminal.(数据线0-7)	
14	DB7		
15	CS1		Chip select signal(片选1)
16	CS2		Chip select signal(片选2)
17	RST		Reset Signal(复位)
18	VOUT		Negative voltage output(负压输出)
19	BLA		Power supply for backlight(+)(背光正极)(+5.0V)
20	BLK		Power supply for backlight(-)(背光负极)

⑤ ELUCIDATION/补充备注