



# TM12864Z-2

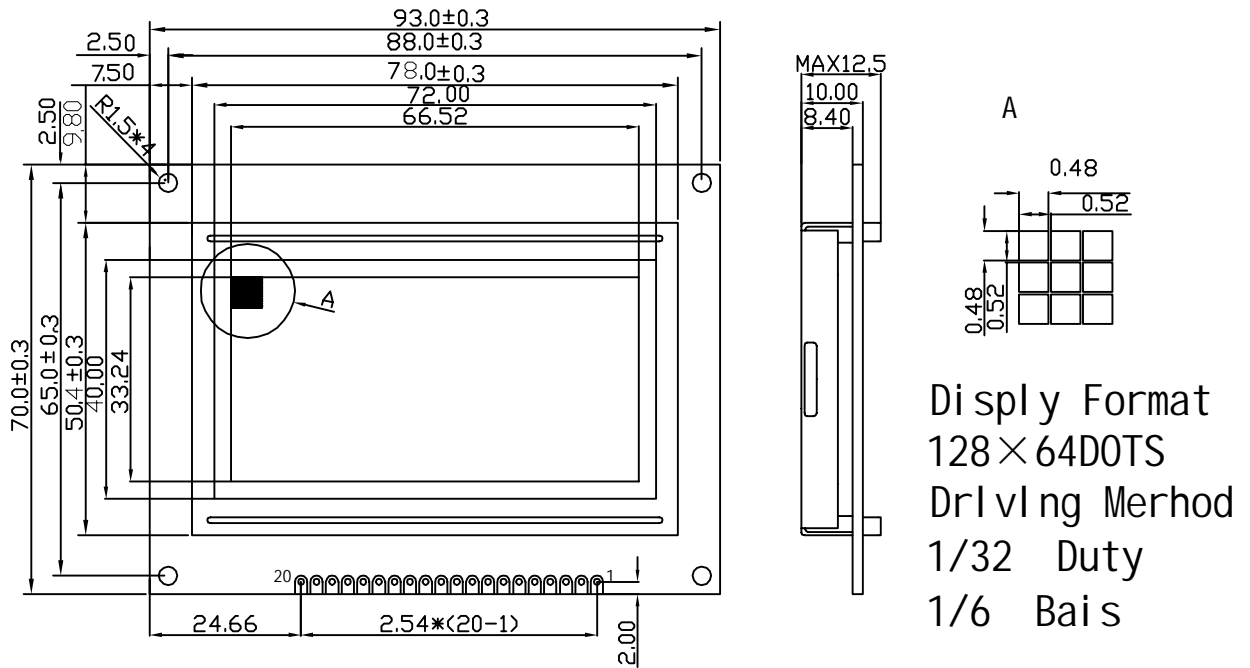
深圳市天广宽科技有限公司

Tel: 0755-83685744 23007596 Fax: 0755-23007597

<http://www.tgklcd.com> E-mail: sg2966@163.com

销售公司地址: 深圳市福田区华强北路赛格广场二楼2834号

## ① PHYSICAL DIMENSION/外型尺寸

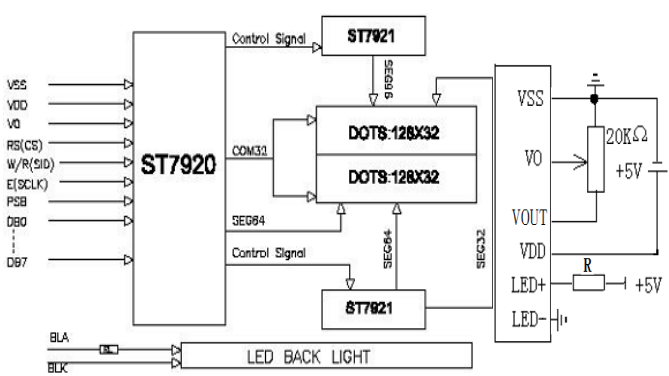


## ② FEATURES/特征

Feature(特征)	UNIT(单位)
LCD type & Colour(类型及颜色)	STN Yellow-green ; STN Blue; FSTN
View Angle(视角)	60° clock
Operating temperature(工作温度)	-20°C ----+70°C
Storage Temperature(贮存温度)	-30°C ----+80°C
Control IC & Package(控制芯片及封装)	ST7920 , COB
Weight(重量)	69 (With B/L)
Backlight(背光类型)	LED

	Ta=25°C	MIN(最小)	TYP(典型)	MAX(最大)	UNIT(单位)	
Supply current don't contain backlight(无背光时电流)	0		12.0		mA	
VDD(电源)	-0.3	3.3	5.0	5.5	V	
VLCD-V0(LCD驱动电压)	0		4.7		V	
Backlight LED (背光电压, 电流)	侧背光	0	3.3	5.0	5.0	V
		0	60	60		mA
	底背光	0	3.3	5.0	5.5	V
		0	120	120		mA

## ④ BLOCK DIAGRAM/原理电路



## ③ PIN CONFIGURATION/管脚说明

PIN	SYMBOL	DESCRIPTION(定义描述)	
1	VSS	Power ground (地)	
2	VDD	Power positive(逻辑电压)(+5.0V)	
3	V0/NC	Operating voltage for LCD Driver(对比度调节)	
4	RS(CS)	Chip select signal (片选)	
5	R/W(SID)	Read or Write.(写数据)	
6	E(CLK)	Enable trigger.(使能信号)	
7	DB0	Data bus [0-7]. There state I/O common terminal.(数据线0-7)	
14	DB7		
15	PSB		0: serial mode; 1: 8/4-bits parallel bus mode(0: 低电位串口, 1: 高电位并口)
16	NC		No connection(空脚)
17	RST		Reset Signal (复位)
18	VOUT/NC		Negative voltage output (负压输出)
19	BLA		Power supply for backlight(+)(背光正极)(+5.0V)
20	BLK		Power supply for backlight(-)(背光负极)

## ⑤ ELUCIDATION/补充备注

- contain the controller cent simplified Chinese character of the Chinese word database and traditional Chinese character [ 含中文字库控制器分简体中文和繁体中文 ]
- when the LCD screen has welding potentiometer (20 k), the third foot vo and 18th foot vout can be empty. [ 当液晶屏已焊电位器 (20K)时, 第三脚V0和第18脚VOUT可以空脚.]