



TM12864I-1

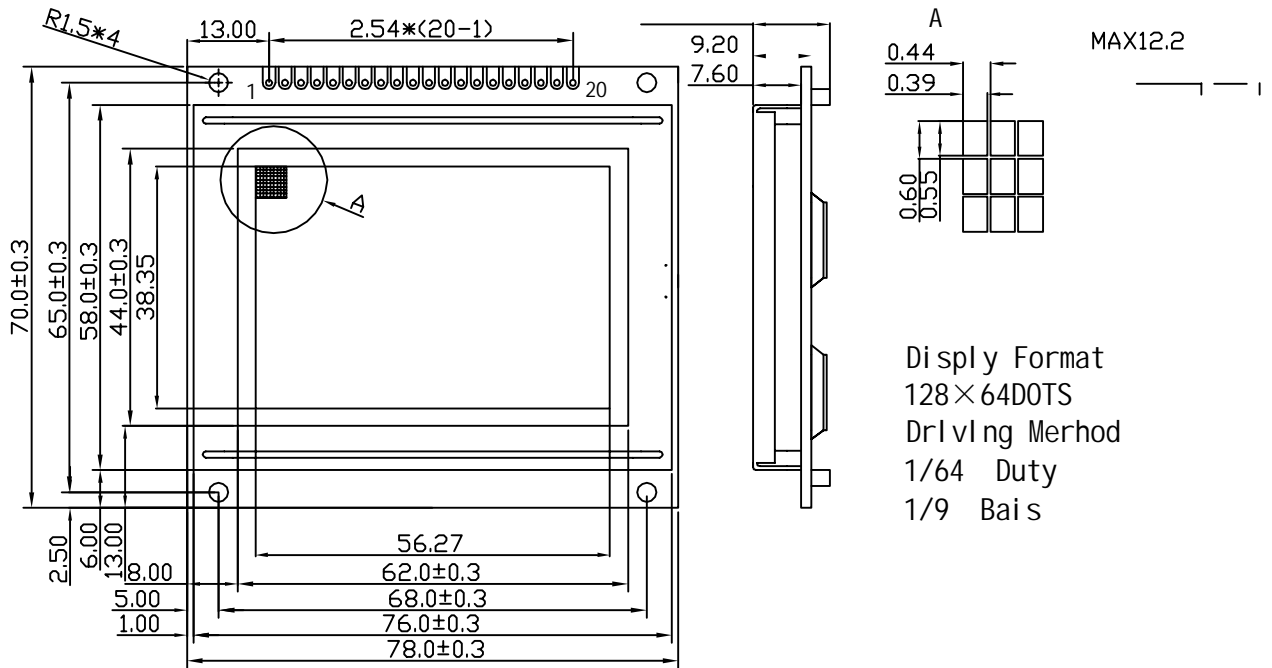
深圳市天广宽科技有限公司

Tel: 0755-83685744 23007596 Fax: 0755-23007597

<http://www.tgklcd.com> E-mail: sg2966@163.com

销售公司地址: 深圳市福田区华强北路赛格广场二楼2834号

① PHYSICAL DIMENSION/外型尺寸



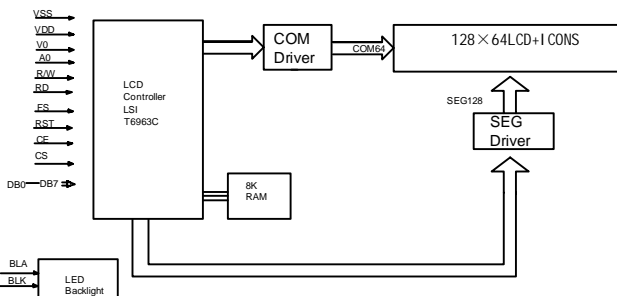
Display Format
128×64DOTS
Driving Method
1/64 Duty
1/9 Bias

② FEATURES/特征

Feature(特征)	UNIT(单位)
LCD type & Colour(类型及颜色)	STN Yellow-green ; STN Blue
View Angle(视角)	6 o'clock
Operating temperature(工作温度)	-20°C ---- +70°C
Storage Temperature(贮存温度)	-30°C ---- +80°C
Control IC & Package(控制芯片及封装)	T6963C , SMT
Weight(重量)	83 (With B/L) g
Backlight(背光类型)	LED

Ta=25°C	MIN(最小)	TYP(典型)	MAX(最大)	UNIT(单位)	
Supply current don't contain backlight(无背光时电流)	0	12.0		mA	
VDD(电源)	-0.3	3.3	5.0	5.5 V	
VLCD-V0(LCD驱动电压)	0		-6.8	V	
Backlight LED (背光电压, 电流)	侧背光	0	3.3	5.0	5.0 V
	底背光	0	75	75	mA
		0	5.0	5.0	5.5 V
		0		120	mA

④ BLOCK DIAGRAM/原理电路



③ PIN CONFIGURATION/管脚说明

PIN	SYMBOL	DESCRIPTION(定义描述)	
1	FG	Frame Ground(铁框地)	
2	VSS	Power ground(地)	
3	VDD	Power positive(逻辑电压)(+5.0V)	
4	V0	Operating voltage for LCD Driver(对比度调节)	
5	R/W	Read or Write.(写数据)	
6	RD	Register select(读信号)	
7	CE	Chip select (片使能信号)	
8	C/D	L: Data H: Instruction Code(指令 数据信号)	
9	RST	Reset Signal (复位)	
10	DB0	Data bus [0-7]. There state I/O common terminal. (数据线0-7)	
17	DB7		
18	FS		Font Select(字体选择)
19	BLA		Power supply for backlight(+)(背光正极)(+5.0V)
20	BLK		Power supply for backlight(-)(背光负极)

⑤ ELUCIDATION/补充备注