



TM12864J

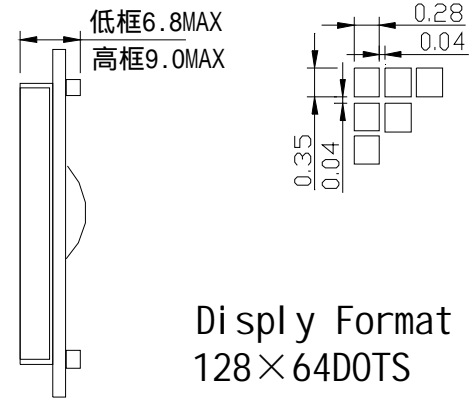
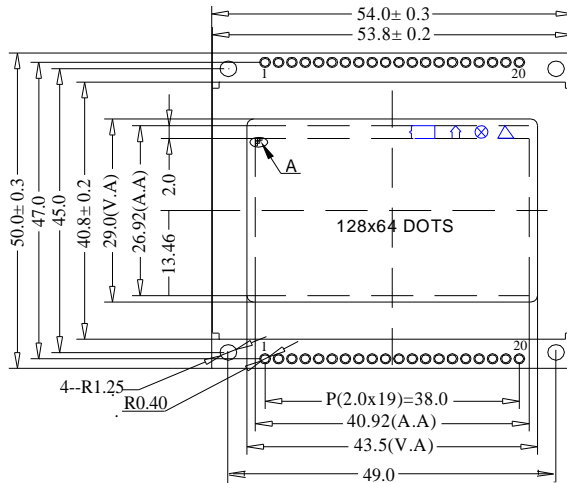
深圳市天广宽科技有限公司

Tel: 0755-83685744 23007596 Fax: 0755-23007597

<http://www.tgklcd.com> E-mail: sg2966@163.com

销售公司地址: 深圳市福田区华强北路赛格广场二楼2834号

① PHYSICAL DIMENSION/外型尺寸



Display Format
128×64DOTS
Driving Method
1/64 Duty
1/9 Bias

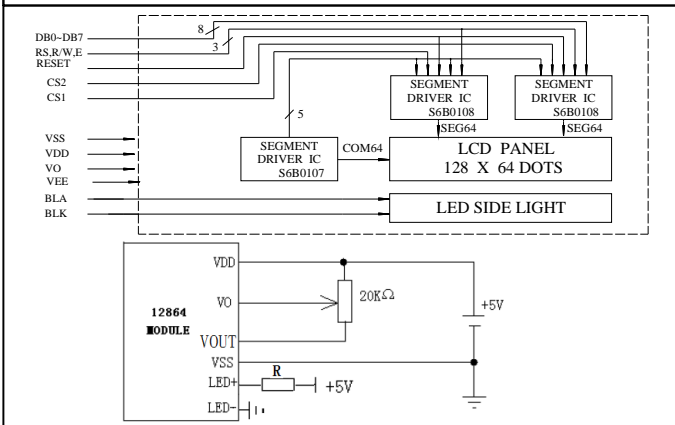
1	2	3	4	5	6	7	8	9	10	11	12	13	14	15	16	17	18	19	20
VSS	VDD	VO	D/I	R/W	E	DB0	DB1	DB2	DB3	DB4	DB5	DB6	DB7	CS1	CS2	RST	VOUT	BLA	BLK

② FEATURES/特征

Feature(特征)	UNIT(单位)
LCD type & Colour(类型及颜色)	STN Yellow-green, STN Blue, FSTN
View Angle(视角)	60° clock
Operating temperature(工作温度)	-20°C --- +70°C
Storage Temperature(贮存温度)	-30°C ---- +80°C
Control IC & Package(控制芯片及封装)	S6B0107, COB
Weight(重量)	40 (With B/L) g
Backlight(背光类型)	LED

	Ta=25°C	MIN(最小)	TYP(典型)	MAX(最大)	UNIT(单位)	
Supply current don't contain backlight(无背光时电流)	0		9.2		mA	
VDD(电源)	-0.3	3.3	5.0	5.5	V	
VLCD-V0(LCD驱动电压)	0		-4.7		V	
Backlight LED (背光电压, 电流)	侧背光	0	3.3	5.0	5.5	V
	底背光	0	60	60		mA

④ BLOCK DIAGRAM/原理电路



③ PIN CONFIGURATION/管脚说明

PIN	SYMBOL	DESCRIPTION(定义描述)	
1	VSS	Power ground (地)	
2	VDD	Power positive(逻辑电压)(+5.0V or +3.3V)	
3	V0	Operating voltage for LCD Driver(对比度调节)	
4	D/I	H:Data L:Instruction Code(指令 数据信号)	
5	R/W	Read or Write.(写数据)	
6	E	Enable trigger.(使能信号)	
7	DB0	Data bus [0-7]. There state I/O common terminal.(数据线0-7)	
14	DB7		
15	CS1		Chip select signal(片选1)
16	CS2		Chip select signal(片选2)
17	RST		Reset Signal(复位)
18	VOUT		Negative voltage output(负压输出)
19	BLA		Power supply for backlight(+)(背光正极)(5.0V or 3.3V)
20	BLK		Power supply for backlight(-)(背光负极)

⑤ ELUCIDATION/补充备注

--