



TM19264A-1

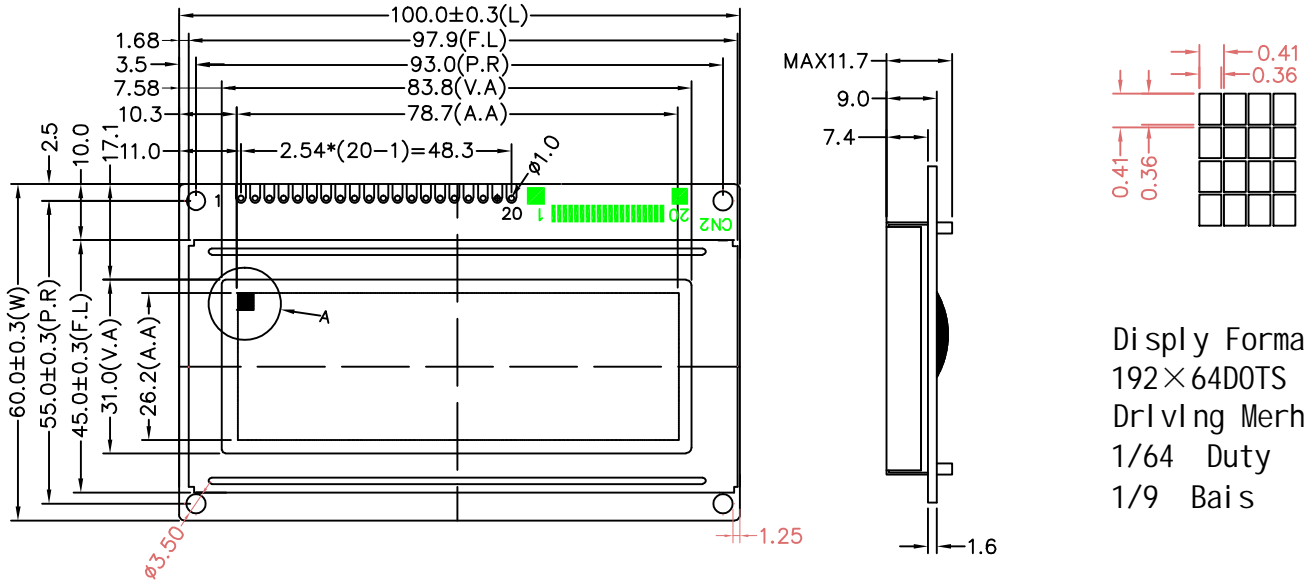
深圳市天广宽科技有限公司

TEL: 0755- 83685744, 23007596 Fax:0755-23007597

http://www.tgklcd.com Email: sg2966@163.com

销售公司地址: 深圳市福田区华强北路赛格广场二楼2834号

① PHYSICAL DIMENSION/外型尺寸

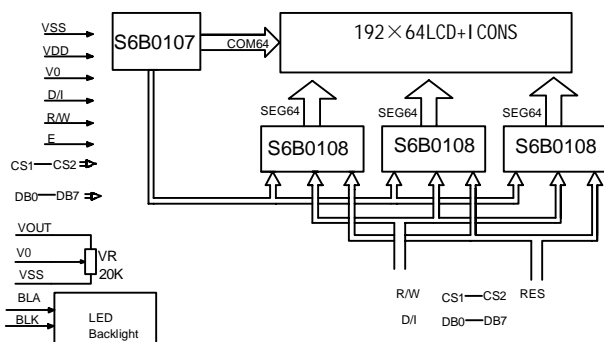


② FEATURES/特征

| Feature(特征) | UNIT(单位) |
|-------------------------------|-----------------------------|
| LCD type & Colour(类型及颜色) | STN Yellow-green ; STN Blue |
| View Angle(视角) | 6° clock |
| Operating temperature(工作温度) | -20°C ----+70°C |
| Storage Temperature(贮存温度) | -30°C ----+80°C |
| Control IC & Package(控制芯片及封装) | S6B0107 , COB |
| Weight(重量) | 73 (With B/L) |
| Backlight(背光类型) | LED |

| Ta=25°C | MIN(最小) | TYP(典型) | MAX(最大) | UNIT(单位) | |
|--|---------|---------|---------|----------|-------|
| Supply current don't contain backlight(无背光时电流) | 0 | 9.2 | | mA | |
| VDD(电源) | -0.3 | 3.0 | 5.0 | 5.5 V | |
| VLCD-V0(LCD驱动电压) | 0 | -6.8 | | V | |
| Backlight LED (背光电压, 电流) | 侧背光 | 0 | 3.3 | 5.0 | 5.0 V |
| | 底背光 | 0 | 75 | 75 | mA |
| | | 0 | 3.3 | 5.0 | 5.5 V |
| | | 0 | 120 | 120 | mA |

④ BLOCK DIAGRAM/原理电路



③ PIN CONFIGURATION/管脚说明

| PIN | SYMBOL | DESCRIPTION(定义描述) | | |
|-----|--------|--|-----|---|
| 1 | DB7 | Data bus [0-7]. Three state I/O common terminal. (数据线0-7) | | |
| 8 | | | | |
| 9 | | | E | Enable trigger. (使能信号) |
| 10 | | | R/W | Read or Write. (写数据) |
| 11 | | | RS | H: Data L: Instruction Code(指令 数据信号) |
| 12 | | | V0 | Operating voltage for LCD Driver(对比度调节) |
| 13 | | | VDD | Power positive(逻辑电压) |
| 14 | | | VSS | Power ground(地) |
| 15 | CS2 | Chip select signal(片选2) | | |
| 16 | CS1 | Chip select signal(片选1) | | |
| 17 | VOUT | Negative voltage output (负压输出) | | |
| 18 | RST | Reset Signal (复位) | | |
| 19 | BLA | Power supply for backlight(+)(背光正极) | | |
| 20 | BLK | Power supply for backlight(-)(背光负极) | | |

⑤ ELUCIDATION/补充备注