



# TM12832Z-1

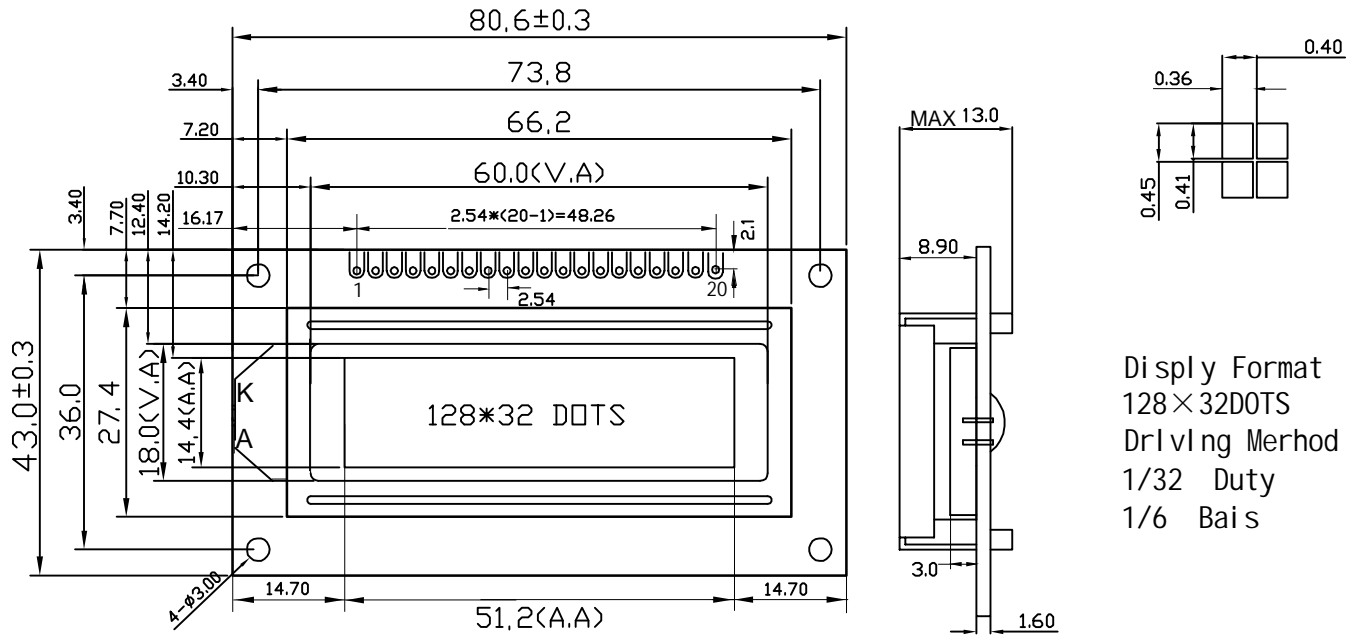
ShenZhen TGK Technology Co.,LTD

Tel : 0755-83685744 23007596 Fax: 0755-23007597

<http://www.tgklcd.com> E-mail: sg2966@163.com

销售公司地址: 深圳市福田区华强北路赛格广场二楼2834号

## ① PHYSICAL DIMENSION/外型尺寸

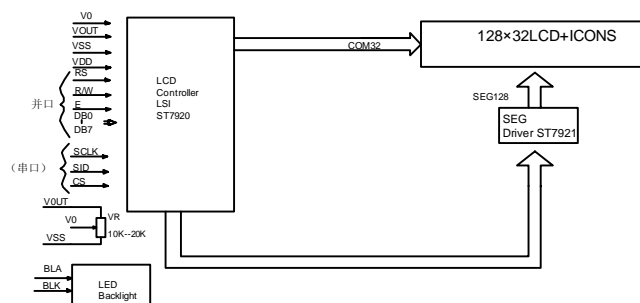


## ② FEATURES/特征

Feature(特征)	UNIT(单位)
LCD type & Colour(类型及颜色)	STN Yellow-green ; STN Blue
View Angle(视角)	6 0'clock
Operating temperature(工作温度)	-20℃ ----+70℃
Storage Temperature(贮存温度)	-30℃ ----+80℃
Control IC & Package(控制芯片及封装)	ST7920 , COB
Weight(重量)	32 (With B/L)
Backlight(背光类型)	LED

	Ta=25℃	MIN(最小)	TYP(典型)	MAX(最大)	UNIT(单位)
Supply current don't contain backlight(无背光时电流)	0		8		mA
VDD(电源)	-0.3	3.3	5.0		V
VLCD-V0(LCD驱动电压)	0		5.0		V
Backlight LED (背光电压, 电流)	侧背光	0	3.3	5.0	V
	底背光	0	18	18	mA
		0		5.0	V
		0		60	mA

## ④ BLOCK DIAGRAM/原理电路



## ③ PIN CONFIGURATION/管脚说明

ITEM	SYMBOL	DESCRIPTION
1	V0	Operating voltage for LCD Driver(对比度调节)
2	VOUT	Negative voltage output (负压输出)
3	VSS	Power ground (地)
4	VDD	Power positive(逻辑电压)+5.0V/+3.3V
5	NC	No connection(空脚)
6	RS(CS)	Chip select signal(片选)/Chip select
7	RW(SID)	Read or Write.(写数据)/Data(Serial)
8	E(CLK)	Enable trigger.(使能信号)/Serial Clock(Serial)
9	DB0	Data bus [0-7]. There state I/O common terminal.(数据线0-7)
16	DB7	
17	PSB	0: serial mode; 1: 8/4-bits parallel bus mode(0: 低电位串口, 1: 高电位并口)
18	/REST	Reset Signal (复位)
19	BLK	Power supply for backlight(-)(背光负极)
20	BLA	Power supply for backlight(+)(背光正极)+5.0V/+3.3V

## ⑤ ELUCIDATION/补充备注