



TM12232A-1

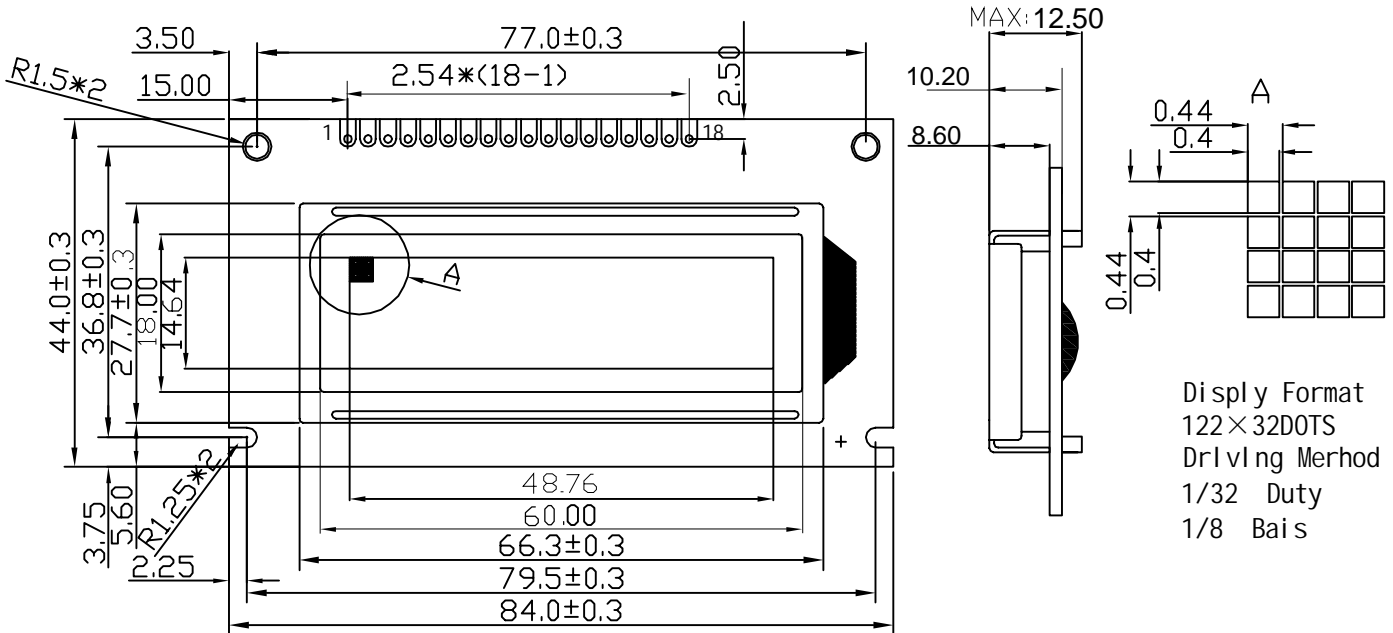
ShenZhen TGK Technology Co.,LTD

Tel: 0755-83685744 23007596 Fax: 0755-23007597

<http://www.tgklcd.com> E-mail: sg2966@163.com

销售公司地址: 深圳市福田区华强北路赛格广场二楼2834号

① PHYSICAL DIMENSION/外型尺寸

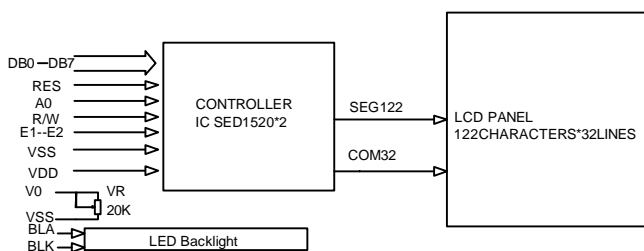


② FEATURES/特征

Feature(特征)	UNIT(单位)
LCD type & Colour(类型及颜色)	STN Yellow-green ; STN Blue
View Angle(视角)	6 O'clock
Operating temperature(工作温度)	-20°C ---- +70°C
Storage Temperature(贮存温度)	-30°C ---- +80°C
Control IC & Package(控制芯片及封装)	SED1520 , COB
Weight(重量)	32 (With B/L) g
Backlight(背光类型)	LED

Ta=25°C	MIN(最小)	TYP(典型)	MAX(最大)	UNIT(单位)	
Supply current don't contain backlight(无背光时电流)	0	8		mA	
VDD(电源)	-0.3	5.0		V	
VLCD-V0(LCD驱动电压)	0	5.0		V	
Backlight LED (背光电压, 电流)	侧背光	0	3.3	5.0	V
	底背光	0	18	18	mA
		0	5.0	V	
		0	60	mA	

④ BLOCK DIAGRAM/原理电路



③ PIN CONFIGURATION/管脚说明

ITEM	SYMBOL	DESCRIPTION	
1	VDD	Power positive(逻辑电压) +5.0V	
2	VSS	Power ground(地)	
3	V0	Operating voltage for LCD Driver(对比度调节)	
4	REST	Reset Signal(复位)	
5	E1	Enable trigger.(使能信号1)	
6	E2	Enable trigger.(使能信号2)	
7	R/W	Read or Write.(写数据)	
8	A0	H: Data L: Instruction Code(指令 数据信号)	
9	DB0	Data bus [0-7]. There state I/O common terminal.(数据线0-7)	
16	DB7		
17	BLA		Power supply for backlight(+)(背光正极) +5.0V
18	BLK		Power supply for backlight(-)(背光负极)

⑤ ELUCIDATION/补充备注

1. Manifestation cent cent hold
manifestation with whole hold manifestation
Two kinds, attention press to need to be choose!

[显示分全屏显示和分屏显示两种, 注意按需要选择!]