



TM204C-1

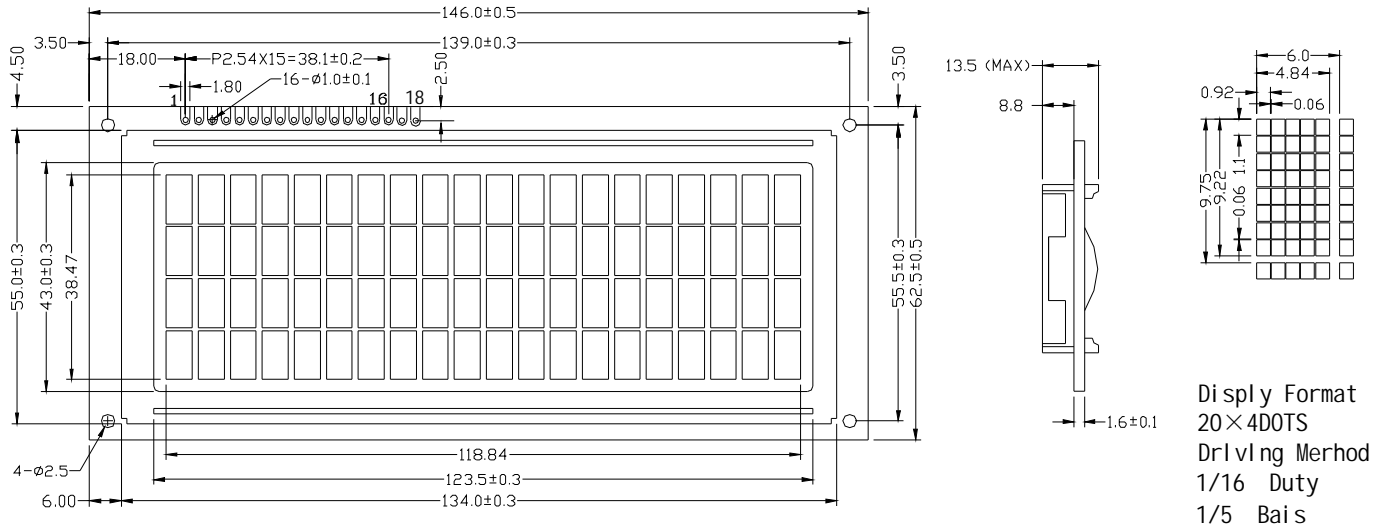
深圳市天广宽科技有限公司

Tel: 0755-83685744 23007596 Fax:0755-23007597

<http://www.tgkcd.com> E-mail: sg2834@163.com

销售公司地址: 深圳市福田区华强北路赛格广场二楼2834号

① PHYSICAL DIMENSION/外型尺寸



② FEATURES/特征

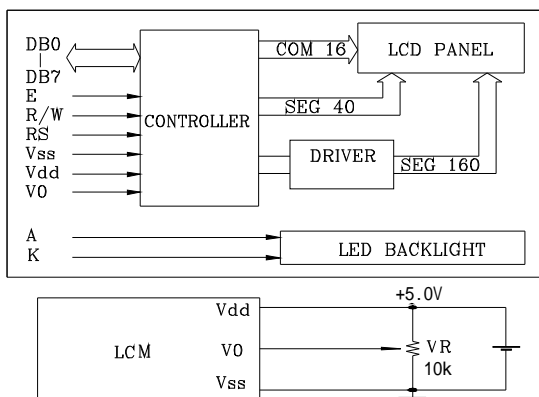
Feature(特征)	UNIT(单位)
LCD type & Colour(类型及颜色)	STN Yellow-green ; STN Blue
View Angle(视角)	6 O'clock
Operating temperature(工作温度)	-20℃ ---- 70℃
Storage Temperature(贮存温度)	-30℃ ---- 80℃
Control IC & Package(控制芯片及封装)	SPLC780D , COB
Weight(重量)	69 (With B/L)
Backlight(背光类型)	LED

Ta=25℃	MIN(最小)	TYP(典型)	MAX(最大)	UNIT(单位)
Supply current don't contain backlight(无背光时电流)	0	8		mA
VDD(电源)	-0.3	5.0		V
VLCD-V0(LCD驱动电压)	0	4.5		V
Backlight LED (背光电压, 电流)	侧背光	0	5.0	V
		0	108	mA
	底背光	0	5.0	V
		0	180	mA

③ PIN CONFIGURATION/管脚说明

PIN	SYMBOL	DESCRIPTION(定义描述)	
1	VSS	Power ground (地)	
2	VDD	Power positive(逻辑电压)	
3	V0	Operating voltage for LCD Driver(对比度调节)	
4	RS	H:Data L:Instruction Code(指令 数据信号)	
5	R/W	Read or Write.(写数据)	
6	E	Enable trigger.(使能信号)	
7	DB0	Data bus [0-7]. There state I/O common terminal.(数据线0-7)	
14	DB7		
15	BLA		Power supply for backlight(+)(背光正极)
16	BLK		Power supply for backlight(-)(背光负极)
17	VOUT/NC		Negative voltage output(负压输出, 5.0V空脚)
18	NC		No connection(空脚)

④ BLOCK DIAGRAM/原理电路



⑤ ELUCIDATION/补充备注